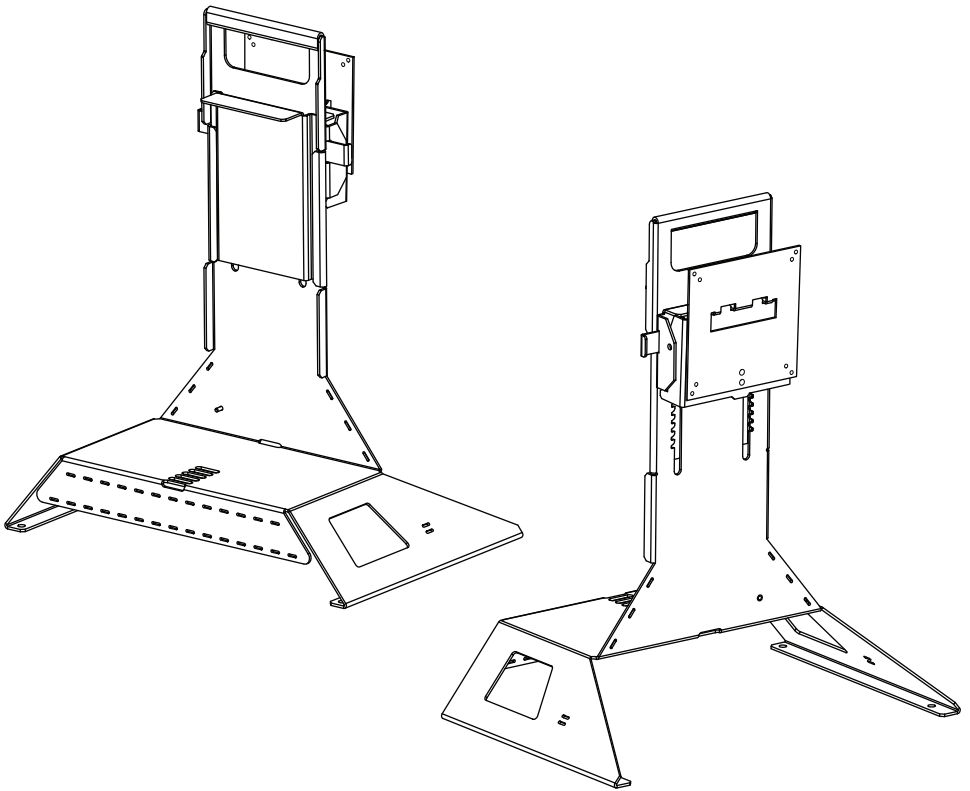


# All-In-One for Generic Application



Installation Instructions  
Kit P/N: RETAIL-AIO-017

# Kit Contents

---

## Assembly Components:

- (1) Stand Assembly
- (1) VESA Monitor Bracket (Attached)
- (1) Strap

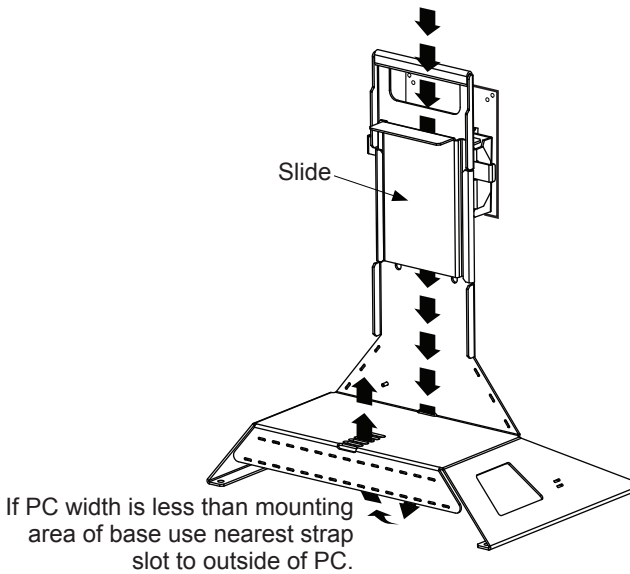
## Monitor Hardware Package:

- (8) Nylon Spacers
- (5) M4 x 10mm Pan Head Screws
- (5) M4 x 18mm Pan Head Screws
- (5) M4 x 25mm Pan Head Screws

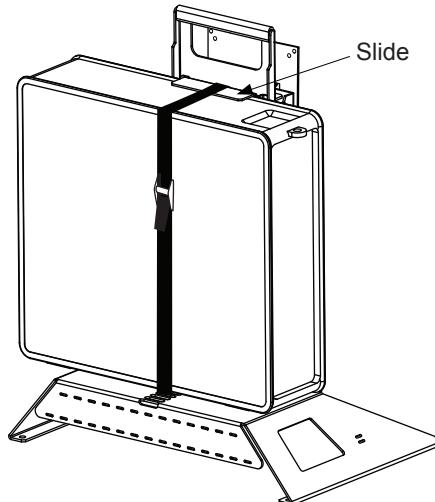
# Installation Instructions

---

**Step 1a** Thread Strap Through Mount: Thread strap between base and slide as shown.

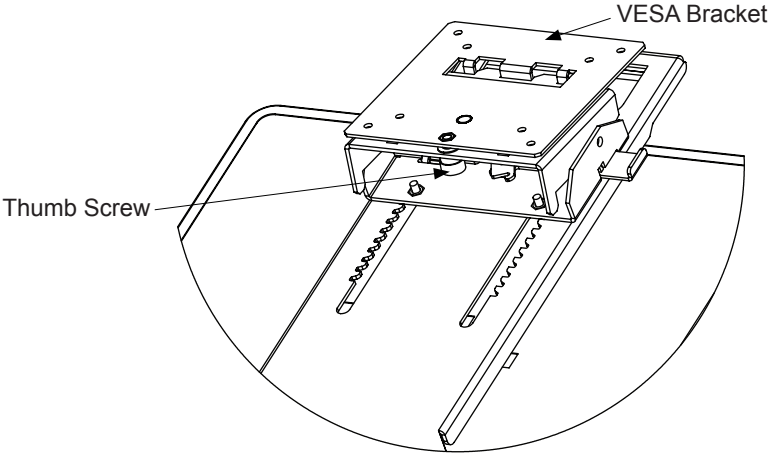


**Step 1b** Attach Strap Fastener: Align slide with top of PC and fasten securely with strap.



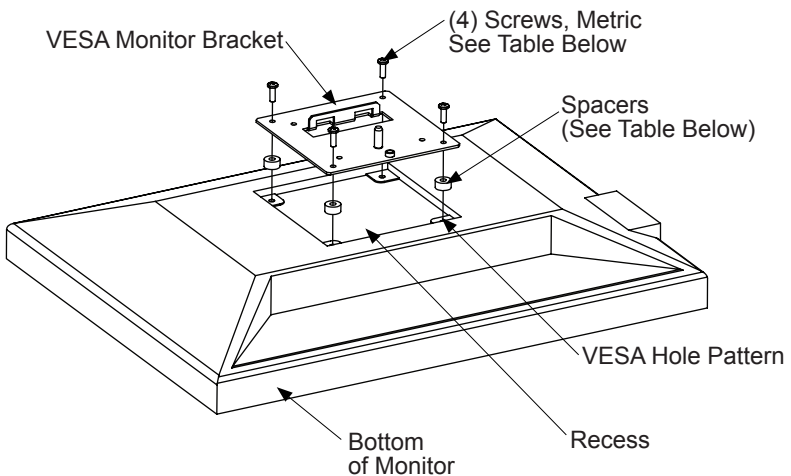
# Installation Instructions

**Step 2. VESA Bracket Removal:** You will need to remove the VESA Bracket by loosening the thumb screw and pivot the the bracket away from stand.



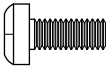


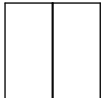

**Step 3. VESA Monitor Bracket Attachment:** Turn the monitor face down on a large flat surface. Locate the four VESA mounting holes on the rear of the monitor.

- Determine if spacers are required:** Some monitors have "recess" on the rear of the monitor. Spacers are provided to fill this gap. See Table A for spacer length options.
- Determine Screw Length:** Only use the metric M4 screws provided. Screw length is determined by the spacers used (see Table A).



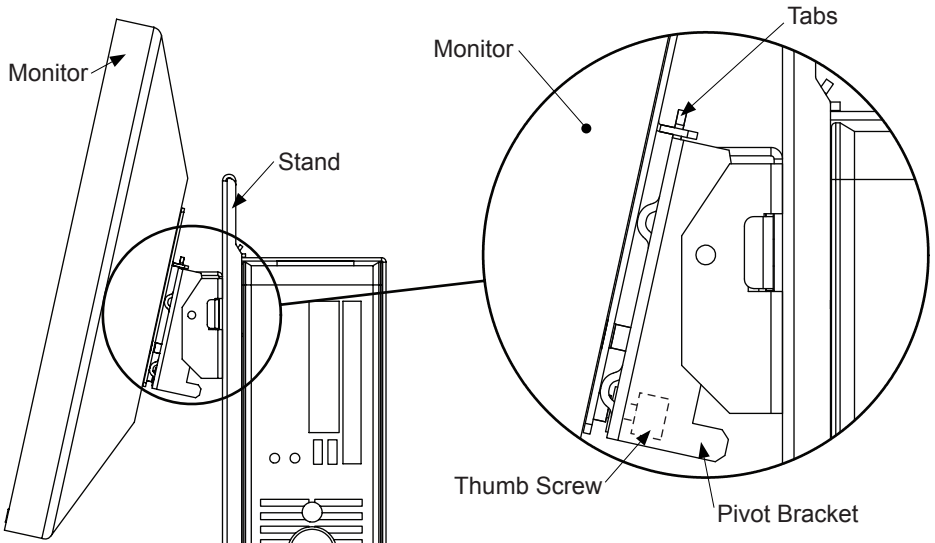
# Installation Instructions

Table A

Recess Depth	Spacer	Screw
0	No Spacer Needed	 10mm
.250 (1/4)		 18mm
.500 (1/2)		 25mm

Screws and Spacers are Shown to Scale

**Step 4 Monitor to Stand Installation:** Slide monitor with VESA Monitor Plate down over the top two Tabs on Stand. Tighten the Thumb Screw from step 2.



**Warranty Statement**

Innovation First, Inc. warrants our products against defects in material and workmanship for a period of one (1) year from the date of purchase. Innovation First, Inc. liability shall be limited to repairing or replacing, at our option, any defective product.